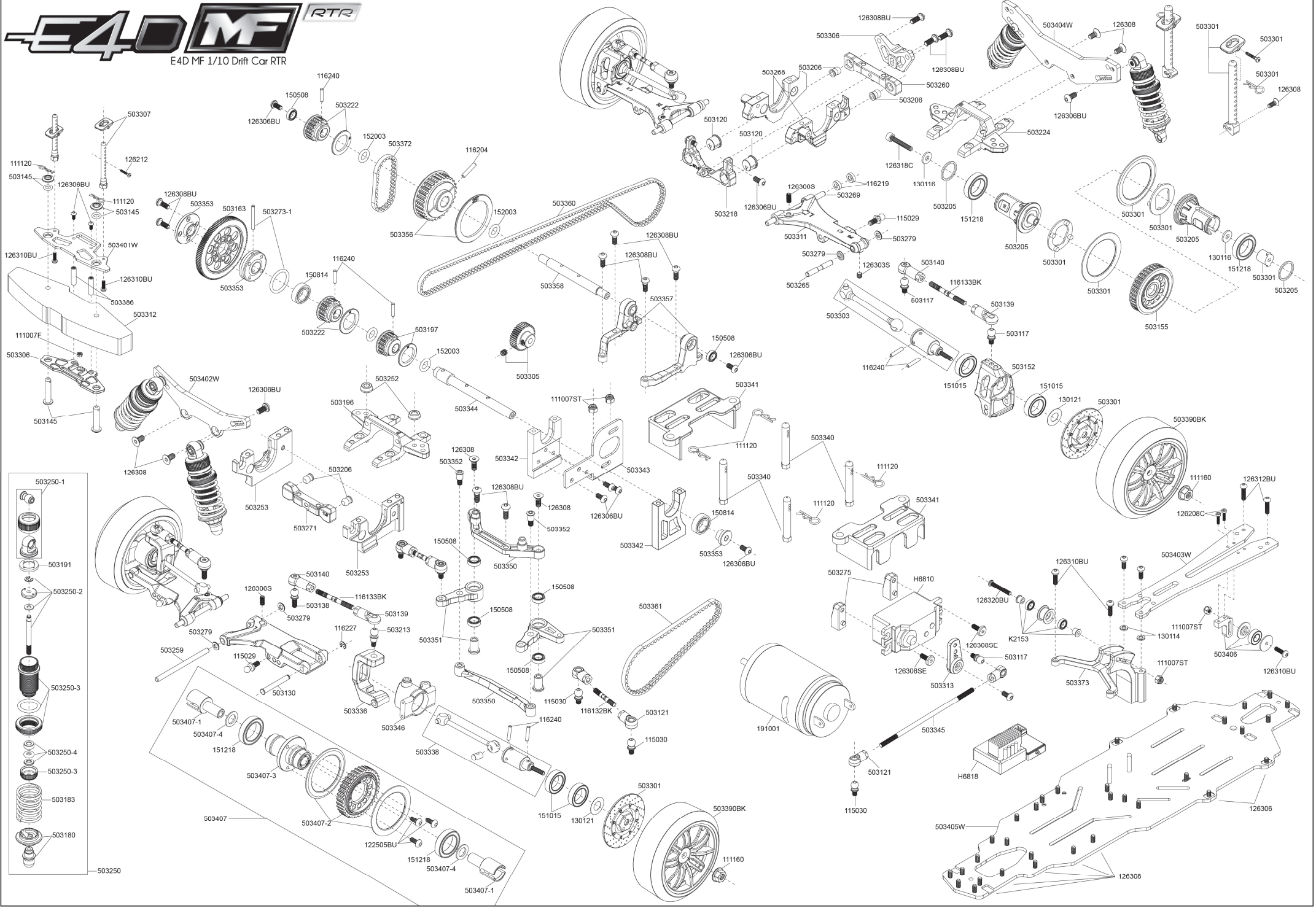


E40 MF RTR

E40 MF 1/10 Drift Car RTR

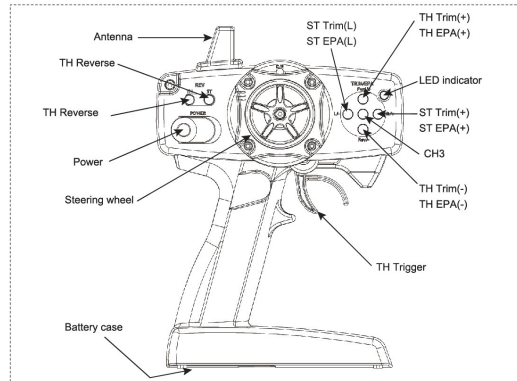


Parts List

| PARTS | |
|----------|--|
| Item No. | Item Description |
| 111007F | 3mm Flat Locknut (10) |
| 111007ST | 3mm Steel Locknut (10) |
| 111120 | R6 R-clip (10) |
| 111160 | 4mm Special Wheel Lock Nut (4) |
| 115029 | 4x12mm Ball Stud(6) |
| 115030 | 5x4mm Ball Stud(10) |
| 116132BK | 3x20mm Adjustable Rod (2)-BK |
| 116133BK | 3x30mm Adjustable Rod (2)-BK |
| 116204 | 7x13x0.1mm (3), 7x13x0.3mm (2) & 7x13x0.5mm Shim |
| 116219 | 3x6x2mm Alum. Washer (6) |
| 116227 | E-clip 2.0 (10) |
| 116240 | 2x9.8mm Pin (10) |
| 126208C | 2x8mm Steel Cap Screw (6) |
| 126212BU | 2X12mm BH Screw(10) |
| 126303S | 3x3mm Set Screw (6) |
| 126306 | 3x6mm Steel FH Screw (6) |
| 126306BU | 3x6mm Steel Button Head Screw (6) |
| 126306S | 3x6mm Set Screw (6) |
| 126308 | 3x8mm Steel F.H. Screw (6) |
| 126308BU | 3x8mm Steel Button Head Screw (6) |
| 126310BU | 3x10mm Button Head Screw (6) |
| 126312BU | 3x12mm Button Head Screw (6) |
| 126318C | 3x18mm Cap Screw (6) |
| 126320BU | 3x20mm Steel Button Head Screw (6) |
| 130114 | 3X6X1mm Washer(10) |
| 130116 | 3.2x8x0.7 Washer (10) |
| 130121 | 6.2x12x0.15mm Washer (10) |
| 150508 | 5x8x2.5mm Bearing (2) |
| 150814 | 8x14x4mm Bearing (2) |
| 151015 | 10x15x4mm Bearing (4) |
| 151218 | 12x18x4mm Bearing (4) |
| 152003 | O-RING P6(10) |
| 191001 | THOR 540 Motor |
| 191002 | THOR 540 100A ESC for Brush Motor |
| 503117 | E4 5x4mm Ball Stud (6) |
| 503121 | E4 Short Ball Cup (6) |
| 503130 | E4 Front Lower Outer Hinge Pin (2) |
| 503138 | E4 5x7mm Ball Stud (6) |
| 503139 | E4 Caster Block Ball Cup (4) |
| 503140 | E4 Long Ball Cup (6) |
| 503145 | E4 Bumper Post Set |
| 503152 | E4 Rear Hub Carrier (2) |
| 503155 | E4 Ball Diff Pulley 35T |
| 503163 | E4 Spur Gear 110T |
| 503180 | E4 Shock Spring Mount & Ball Cup (4) |
| 503183 | E4 Shock Spring (2) |
| 503191 | E4 New Shock Bladder (4) |
| 503196 | E4 Lightweight Front Bulkhead Upper Mount |
| 503197 | E4 Lightweight Nylon 17T Side Pulley (2) |
| 503205 | E4 Rear Lightweight Ball Diff Outdrive Set |
| 503206 | E4 Hinge Pin Ball(POM)(4) |
| 503210 | E4 Single Bell Crank Steering System |
| 503213 | E4 New Caster Block Ball Stud (4) |
| 503218 | E4 Lightweight Rear Front Hinge Pin Mount |
| 503222 | E4 Nylon 18T Center Pulley (2) |
| 503224 | E4 Lightweight Rear Bulkhead Upper Mount |
| 503250 | E4J Shock Set (2) |
| 503250-1 | E4J Shock Cap Set (2) |
| 503250-2 | E4J Shock Shaft & Piston Set (2) |

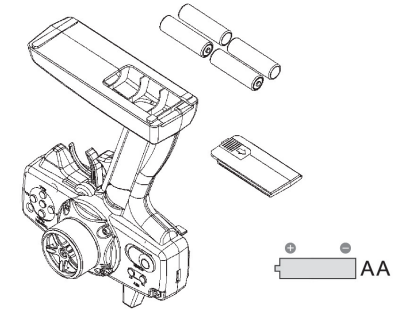
| Item No. | Item Description |
|----------|--|
| 503250-3 | E4J Shock Body Set (2) |
| 503250-4 | E4J Shock Body Hardware Set (2) |
| 503252 | 3.1x6.5x3mm Nylon Washer (6) |
| 503253 | E4J Front Nylon Bulkhead Set |
| 503259 | E4J Front Lower Inner Hinge Pin (2) |
| 503260 | E4J Lower Nylon Hinge Pin Mount 1.5 Degree |
| 503265 | E4J Rear Lower Outer Hinge Pin (2) |
| 503268 | E4J Rear Nylon Bulkhead Set |
| 503269 | E4J Rear Lower Inner Hinge Pin (2) |
| 503271 | E4J Lower Nylon Hinge Pin Mount 2.5 Degree |
| 503273-1 | E4J Spur Gear Holder Pin |
| 503275 | E4J Servo Mount |
| 503279 | E4J Rear Hub Carrier Nylon Washer (4) |
| 503301 | E4D Drift Car Nylon Accessories |
| 503301-1 | E4 D Rear Body Post (65mm)(2pcs) |
| 503303 | E4D Alum. Front/Rear CVA Shaft (2) |
| 503305 | E4 33T Pinion Gear |
| 503306 | E4 Drift Bumper Set (F/R) |
| 503307 | E4 Drift Car 6mm Front Body Post(2) |
| 503311 | E4D Rear Lower Arm Set |
| 503312 | E4D Foam Bumper |
| 503313 | Servo Arm (Futaba) (2) |
| 503336 | E4 NEW Lightweight Caster Block Set (6 degree) |
| 503338 | E4 NEW CVD for Large Steering Angle (2) |
| 503340 | E4D MF Battery Cover Post (4) |
| 503341 | E4D MF Battery Cover (2) |
| 503342 | E4D MF Motor Mount Support(2) |
| 503343 | E4D MF Motor Mount |
| 503344 | E4D MF Middle Shaft |
| 503345 | E4D MF Steering Linkage (3x92mm) (2) |
| 503346 | E4D MF Steering Block(2) |
| 503350 | E4D MF Linkage Plate Set |
| 503351 | E4D MF Steering Arm Set |
| 503352 | E4D MF Steering System Screw (2) |
| 503353 | E4D MF Spur Gear Holder |
| 503356 | E4D MF Pulley -28T |
| 503357 | E4D MF Middle Shaft Brace Set |
| 503358 | E4D MF Upper Shaft |
| 503360 | E4D MF Belt(Long) |
| 503361 | E4D MF Belt (Short) |
| 503372 | E4D MF Middle Belt-102mm |
| 503373 | E4D MF Upper Plate Support |
| 503379 | E4D MF Bearing Blocks |
| 503386 | E4D MF Alum. Bumper Rod |
| 503390BK | E4D Mounted Drift Tire 45 Degree (5 Spoke, Black)(4 pcs) |
| 503401W | E4D MF Front Composite Upper Bumper-White |
| 503402W | E4D MF Front Composite Shock Tower-White |
| 503403W | E4D MF Composite Upper Plate-White |
| 503404W | E4D MF Rear Composite Shock Tower-White |
| 503405W | E4D MF Composite Chassis-White |
| 503406 | E4D MF Belt Tensioner Set |
| 503407 | E4D MF Front Oneway Set (35T Pulley) |
| 503407-1 | E4D MF Oneway Outdrives (2) |
| 503407-2 | E4D MF Oneway Pulley 35T |
| 503407-3 | E4D MF Oneway Shaft |
| 503407-4 | E4D MF Oneway Shim (2) |
| H6810 | H.A.R.D. HS3004 Throttle Servo |
| H6817 | HT3GDS 2.4G Transmitter w/Receiver |
| H6818 | HR3GR 3 Channel 2.4G Receiver |

1 Transmitter Function

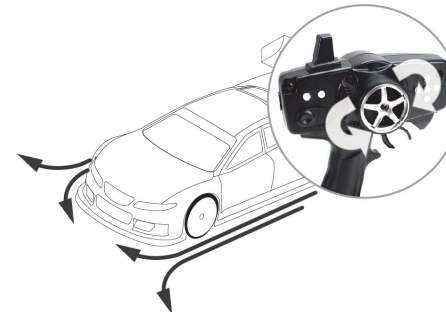


2 Operating Procedure

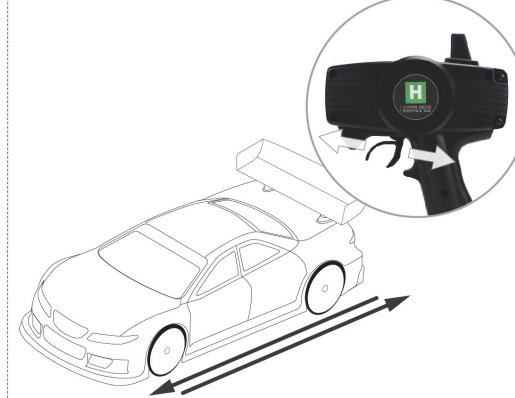
01 Install 4pcs AA batteries to the H.A.R.D transmitter.



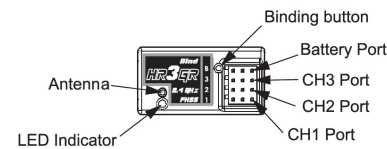
02 Turn the steering wheel right to turn the front tires go right.
Turn the steering wheel left to turn the front tires go left.



03 Press the throttle trigger to moving forward the vehicle.
Push forward the throttle trigger to brake and reverse the vehicle.



3 Binding (connecting the receiver to transmitter)



Binding the Receiver to the Transmitter

"Binding" is tuning the receiver to the frequencies used by the transmitter. Bind the receiver to the transmitter as follows:

1. With both transmitter and receiver turned off, place the units no more than 30 cm (1 ft) apart.
2. While holding down the receiver's BIND button, apply power to the receiver. Its LED will start to flash steadily, indicating that the unit is in binding mode, a state that lasts up to 30 seconds.
3. Turn the transmitter on. It will immediately go into binding mode, a state that lasts one second.
4. When the receiver's LED shines steadily, binding is complete.